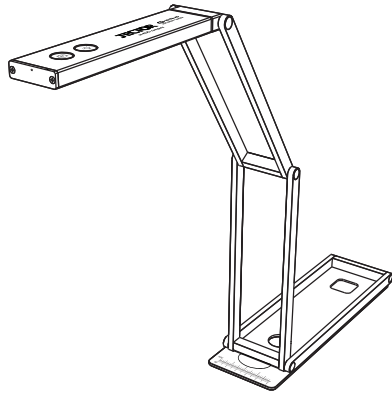


CM-U403C

4K Visualiser

Quick Start Guide



Please read this guide before using the product.

Step 1. Instructions

Thank you for purchasing the JECTOR product. The CM-U403C is a lightweight and portable plug-and-play USB Visualiser (Document Camera), it's an ideal tool for distance learning and remote collaboration. This quick start guide briefly describes the steps to start using this document camera. If you have any technical or service questions about the product, please E-mail our customer service using sale@jectordigital.com then we will provide you with service and support.

Warranty Exclusions

The following circumstances excluded from warranty coverage:

- Product damage caused by catastrophes, thunder stroke, faulty electric power, and environmental factors.
- Defacing of product labeling (label alterations and falsifying, serial number missing, serial number no longer discernible, serial number invalid). All serial numbers are recorded and tracked for warranty purposes.
- Unauthorized changes of non-parts, modifications or alterations, parts removal in or to the products.
- Damage caused by operator error or operator fails to comply user manual instruction, such as, but not limited to improper storage resulting in product get wet, corrosion, off, squeezed or exposed to inadequate temperature/humid environment.
- Accessories or packing material such as boxes, user manual, etc.

Safety & Environmental Information

- This device complies with part 15 of the FCC rules and CE certification.
- Discarded electrical and electronic appliances are recyclable and should separate from household waste. Please actively support in conserving resources and protecting the environment by returning this appliance to the collection centers.

System Requirements

Intel i5 Processor or Higher
USB Port
At least 4GB RMB (Recommended 8GB)
20GB Available HDD Space
Windows, macOS, ChromeOS



Step 2. Specifications

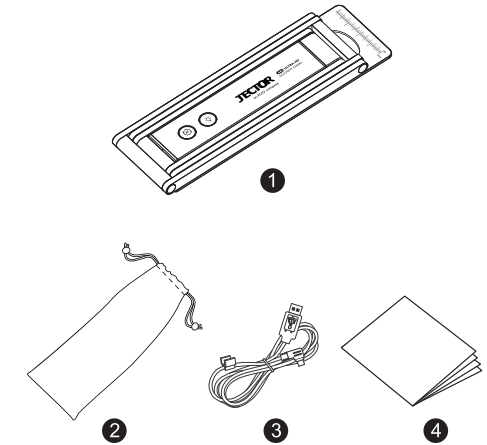
Image Sensor	13 Megapixel 1/3" CMOS
F/NO (Infinite)	2.2
Max. Shooting Area	440mm x 330mm (at output 4:3 mode)
Output Resolution / FPS	MJPEG: 3840x2880@15fps, 3840x2160@30fps 2560x1440 @30fps, 2048x1536 @30fps 1600x1200@30fps, 1920x1080@60fps 1280x720@60fps, 1024x768@30fps 960x540@60fps, 640x480@30fps 640x360@60fps YUY2: 1280x720@10fps, 1024x768@10fps, 960x540@15fps, 640x480@30fps 640x360@30fps
Video Format	MJPEG / YUY2
Focus	Auto
Lamp	LED
Image Rotation	0° / 180°
Power Frequency	50 / 60 Hz
Connectivity	USB 2.0
Microphone	Built-in Omnidirectional Microphone
Powered By	USB (5V/500mA)
Protocol	UVC / UAC Compliant
Support OS	Windows, macOS, ChromeOS
Dimensions	Closed: 220x66x13mm Expanded: 393x66x343mm
Net Weight	380g / 0.83lbs

NOTE: Specifications are subject to change without notice

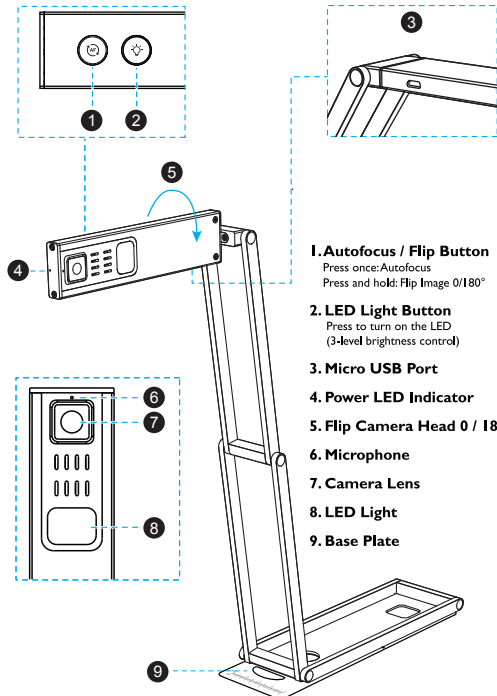
Step 3. Unpacking

Before use, make sure the following items are included in the package. If anything is missing, contact the retailer where you purchased the product.

1. 4K Visualiser
2. Carry Bag
3. USB Cable
4. Quick Start Guide



Step 4. Parts Descriptions



1. Autofocus / Flip Button

Press once: Autofocus
Press and hold: Flip Image 0/180°

2. LED Light Button

Press to turn on the LED
(3-level brightness control)

3. Micro USB Port

4. Power LED Indicator

5. Flip Camera Head 0 / 180°

6. Microphone

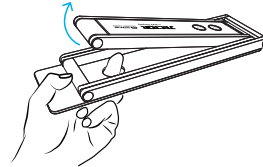
7. Camera Lens

8. LED Light

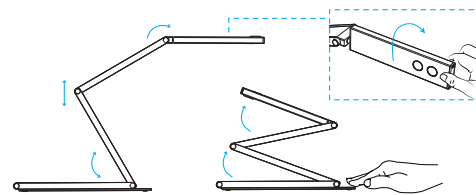
9. Base Plate

Step 5. Getting Started

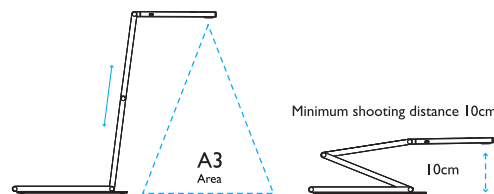
1. Push a finger through an opening at the base of the device to lifting the camera arm.



2. Press against the base plate of camera and pull it up then flip the camera head.

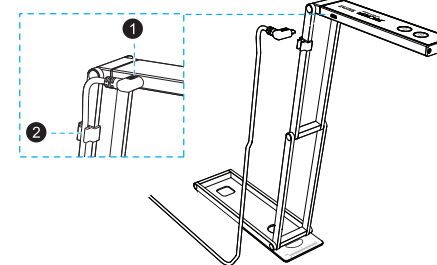


3. Adjust the arm to change the height and position for capturing your materials. Fully extend the camera arm to capture the maximum shooting area of A3.



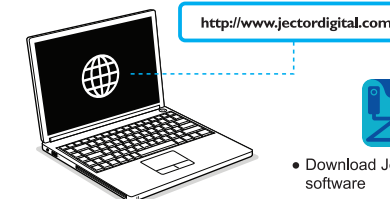
Step 6. Connection Settings

1. Plug the supplied USB cable to the camera and connect another end into the computer's USB port (PC, Mac or Chromebook).
2. Attach the cable organizer to the camera arm.



Using the compatible software

The CM-U403C is a standard UVC camera, you can use it with a variety of software as long as they recognize the video source coming from a UVC camera. For example, you can use it with third-party video conferencing software like Zoom, Microsoft Teams, or Google Meet. However, to get the full functionality of this 4K Document Camera, we'd recommend using it with JECTOR ShareCam software and you can download this free software from JECTOR's website at the below link.



Step 7. Warranty

User Information

Name	Gender
Address	
E-mail	
Phone	
Place of purchase	
Date of purchase	
Product S/N	
Reseller Info.	

This product provides limited warranty continues for one (1) year from the date of purchase.



JECTOR DIGITAL CORPORATION
www.jectordigital.com
Customer service: sale@jectordigital.com